



City of Bremerton

PUBLIC WORKS

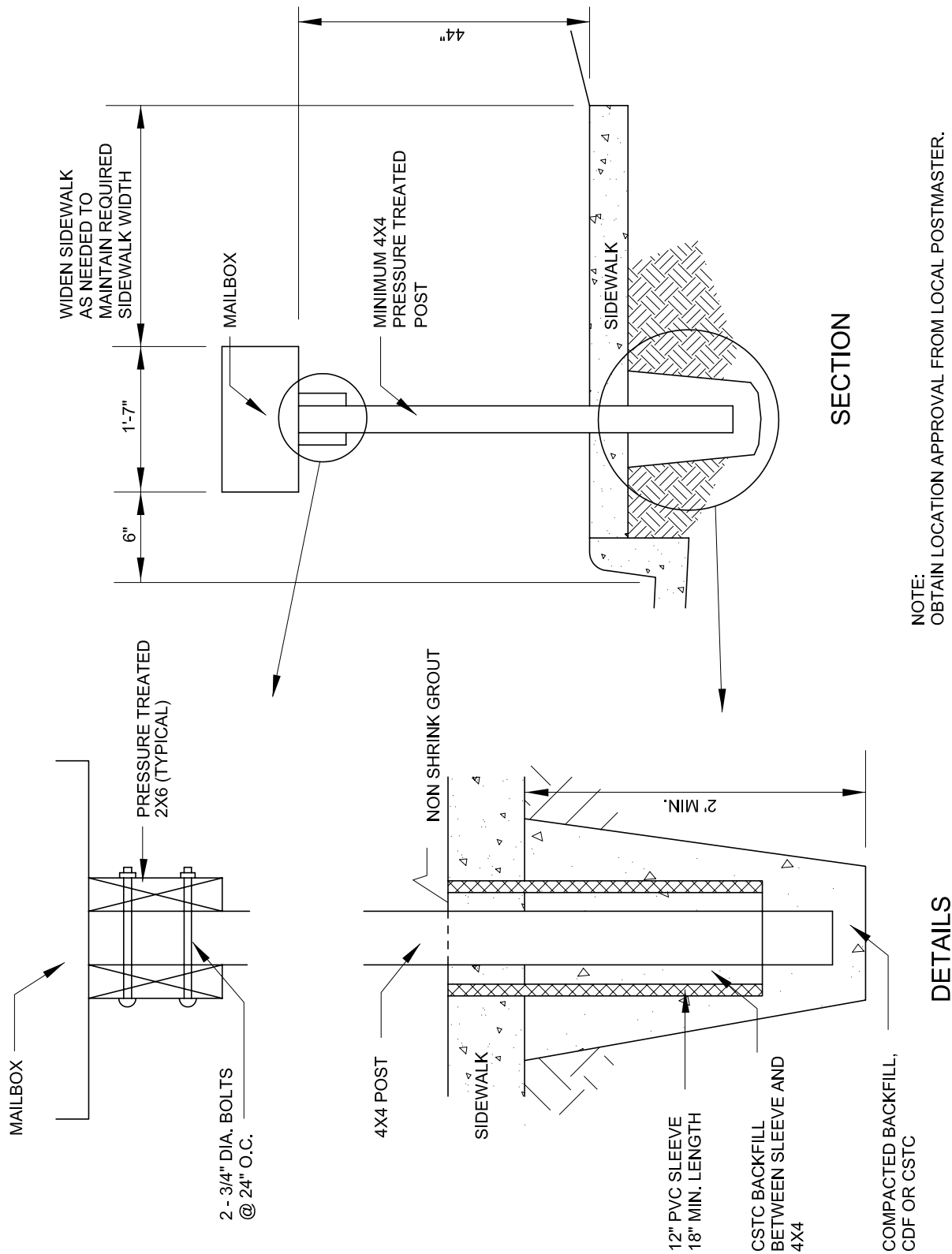
ENGINEERING DIVISION

MAILBOX STAND

Alteration of this drawing is prohibited. Any approval of an altered drawing is unauthorized and void.

3410

Revision Date
10/23/02



NOTE: OBTAIN LOCATION APPROVAL FROM LOCAL POSTMASTER.