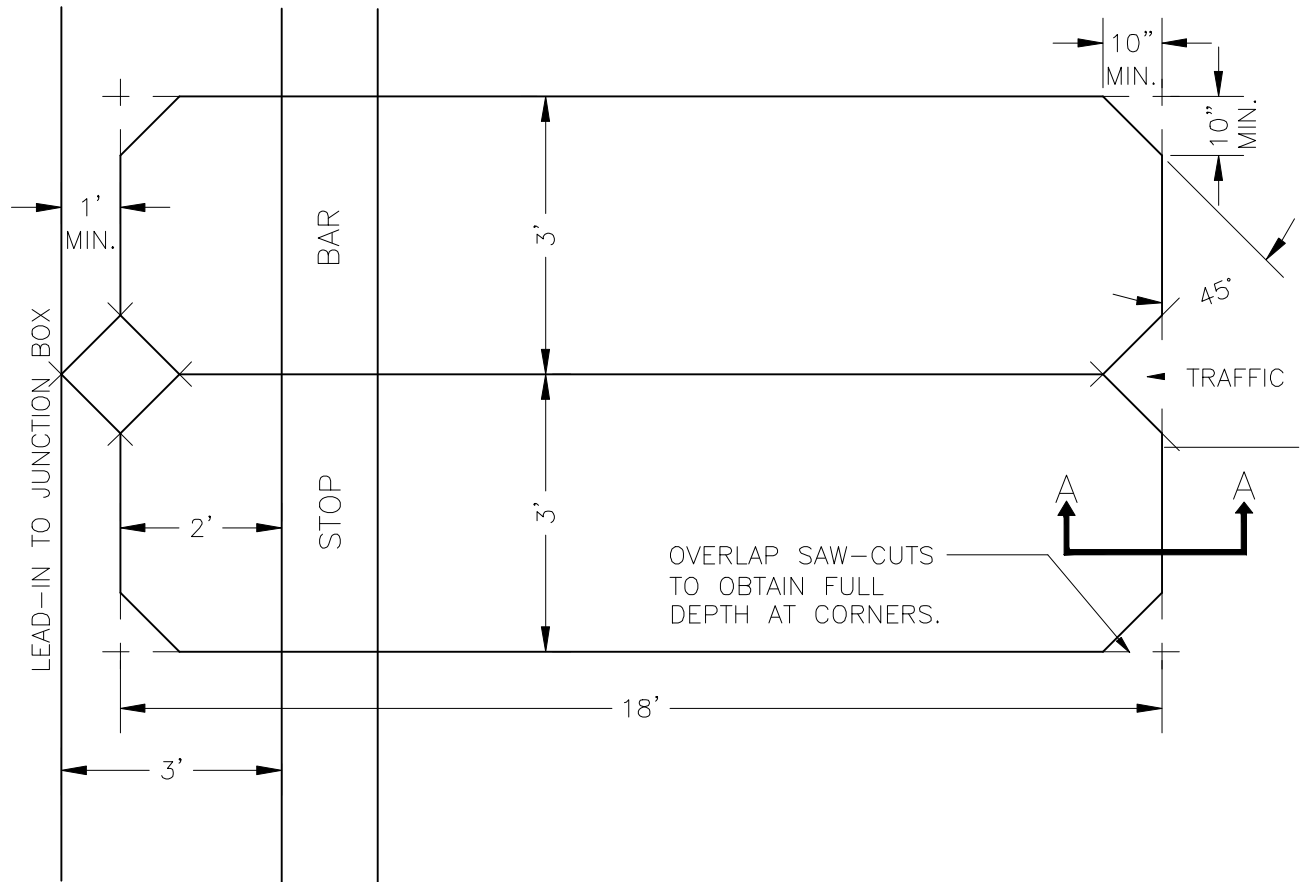
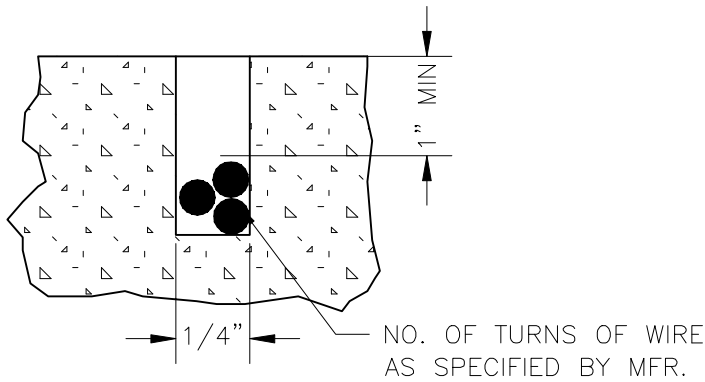


LOCATE LEAD-IN FOR SHORTEST DISTANCE TO DETECTOR




**TYPICAL SAW CUT PLAN**



**SECT. A-A**

10/08/01–Yellow Polypropylene rope removed from sawcut detail

 <p><b>City of Bremerton</b></p> <hr/> <p><b>PUBLIC WORKS</b></p> <hr/> <p><b>COMMUNITY DEVELOPMENT</b></p>		<p><b>INDUCTION LOOPS VEHICLE DETECTOR DETAILS</b></p> <p><small>Alteration of this drawing is prohibited. Any approval of an altered drawing is unauthorized and void.</small></p>	<p><b>3268</b></p> <hr/> <p><b>Revision Date</b> 11/16/09</p>
--	--	---	---