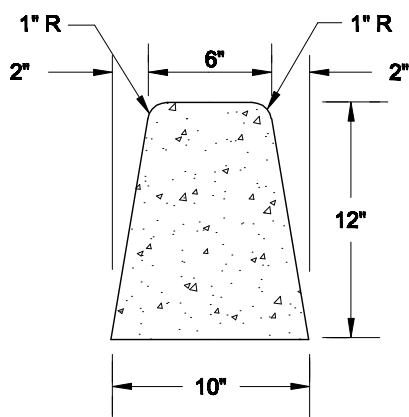
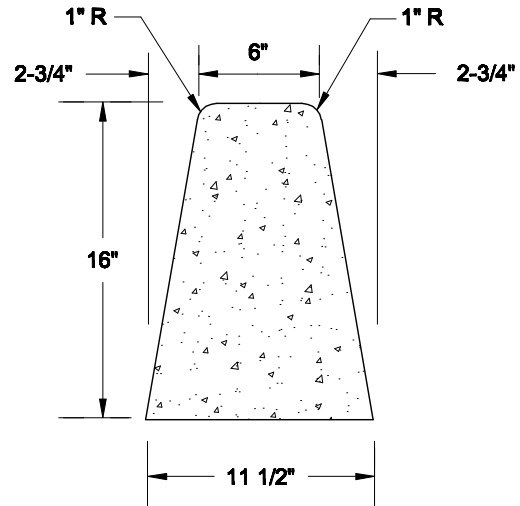


TYPE C-1 CURB

TYPE C-2 CURB



TYPE C-3 CURB



TYPE C-4 CURB

NOTES

1. ALL MATERIALS SHALL BE WSDOT CLASS 3000 CONCRETE.



City of Bremerton

PUBLIC WORKS

ENGINEERING DIVISION

CEMENT CONCRETE CURB
TYPE C

Alteration of this drawing is prohibited. Any approval of an altered drawing is unauthorized and void.

3133

Revision Date
8/28/13