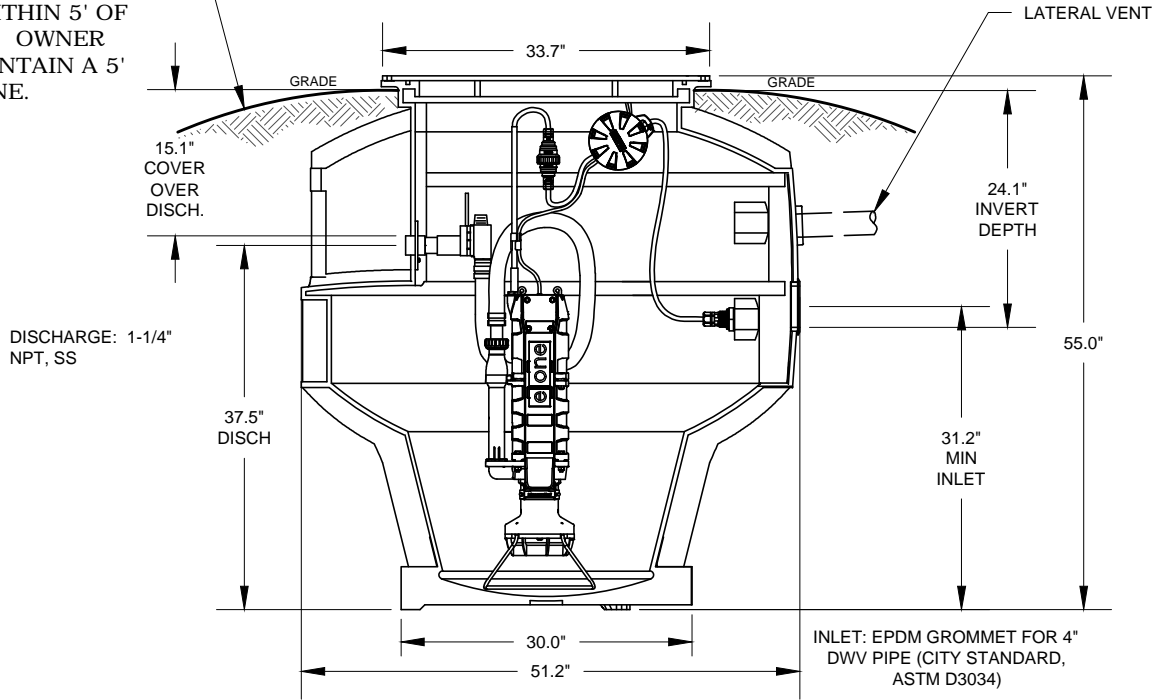
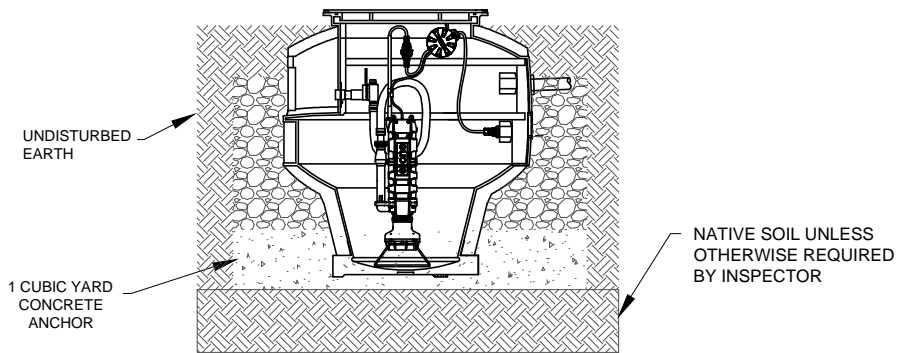


GRADE MUST SLOPE AWAY FROM STATION. DO NOT INSTALL ANY PLANTS WITHIN 5' OF THE TANK. OWNER MUST MAINTAIN A 5' CLEAR ZONE.




\*\*SEE E-ONE INSTALLATION INSTRUCTIONS FOR FURTHER DETAILS

FILL TO GRADE WITH CLEAN, COMPACTABLE BACKFILL, SUCH AS NATIVE MATERIAL, OR IMPORTED BACKFILL. CLAY AND SILTS ARE NOT ACCEPTABLE BACKFILL



E-ONE MODEL WH 231-55, 55" GRINDER PUMP SYSTEM

 <p><b>City of Bremerton</b></p> <p><b>PUBLIC WORKS</b></p> <p><b>DESIGN/CONSTRUCTION STANDARDS</b></p>	<p><b>WH231-55</b></p> <p><b>GRINDER PUMP</b></p> <p>Alteration of this drawing is prohibited. Any approval of an altered drawing is unauthorized and void.</p>	<p><b>6103</b></p>
		<p>Revision Date 02/01/15</p>