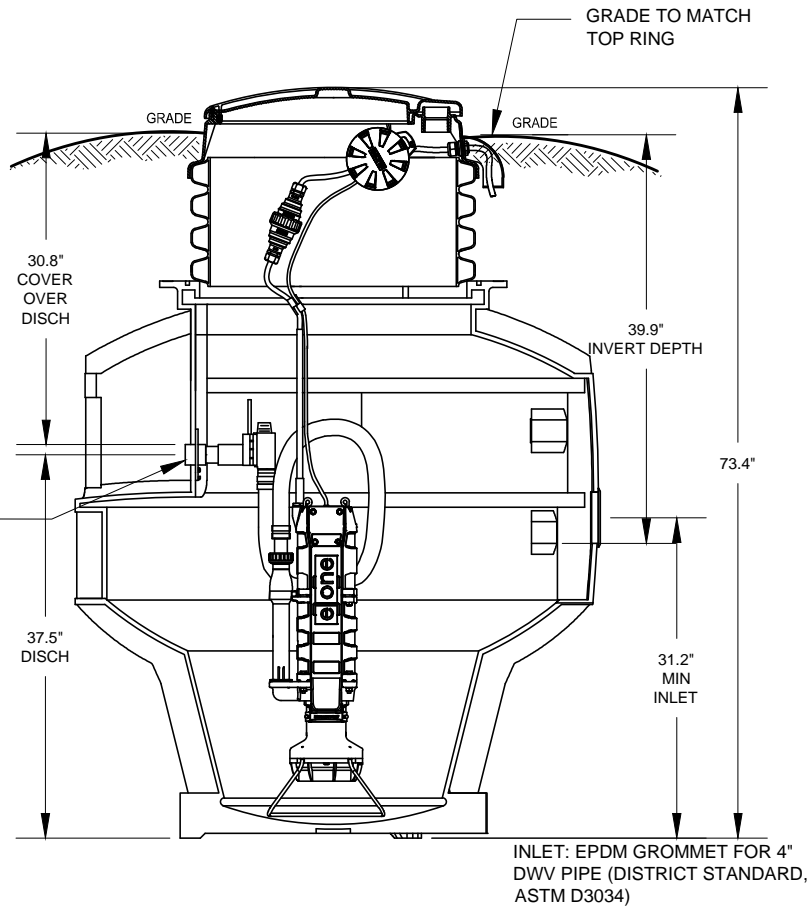


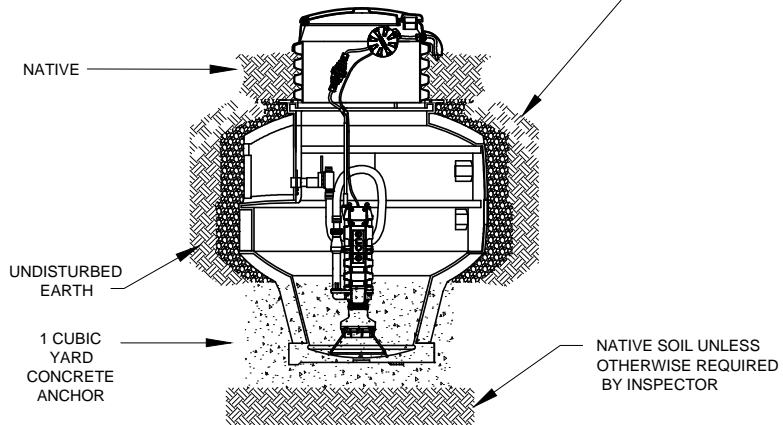
GRADE MUST SLOPE AWAY FROM STATION. DO NOT INSTALL ANY PLANTS WITHIN 5' OF THE TANK. OWNER MUST MAINTAIN A 5' CLEAR ZONE.

DISCHARGE:
1-1/4" X 12" BRASS NIPPLE,
THREADED ON ONE END.

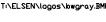


**SEE E-ONE INSTALLATION INSTRUCTIONS FOR FURTHER DETAILS

FILL TO GRADE WITH CLEAN, COMPACTABLE BACKFILL, SUCH AS NATIVE MATERIAL, OR IMPORTED BACKFILL. CLAY AND SILTS ARE NOT ACCEPTABLE BACKFILL



E-ONE MODEL WH 231-73 73" GRINDER PUMP SYSTEM

 <p>City of Bremerton</p> <hr/> <p>PUBLIC WORKS</p> <hr/> <p>DESIGN/CONSTRUCTION STANDARDS</p>	<p>WH 231-73 GRINDER PUMP</p> <p>Alteration of this drawing is prohibited. Any approval of an altered drawing is unauthorized and void.</p>	<p>6104</p> <p>Revision Date 02/06/15</p>
---	---	--