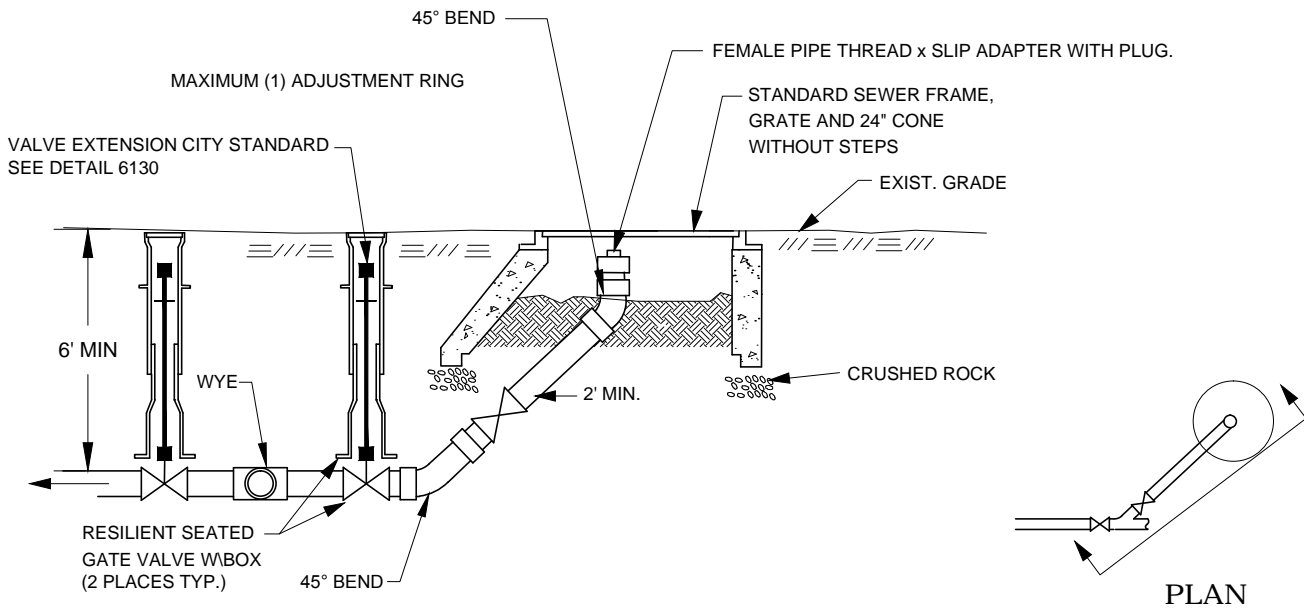


NOTES:

1. LOCATE TEST BOX OVER CENTERLINE OF FORCEMAIN.
2. PROVIDE TEST BOX AT 500' INTERVALS AND AT BENDS.
3. PROVIDE 6' WIRE LOOP INSIDE VALVE BOX, TYP.
4. INLINE CONNECTORS SHALL BE 3M 82-A1 SCOTCHCAST KIT OR EQUALON WIRE ARE NOT ALLOWED.


FORCEMAIN TRACER WIRE LOCATE STATION



NOTE:

1. VALVES, VALVE BOXES AND VALVE EXTENSIONS PER CITY STANDARDS SEE DETAIL 6130. VALVE BOX COVERS SHALL BE MARKED FOR SEWER.
2. VALVE MARKER POSTS PER CITY STANDARDS, SEE DETAIL 6131.

SANITARY FORCE MAIN CLEANOUT DETAIL

 <p>City of Bremerton</p> <p>PUBLIC WORKS</p> <p>DESIGN/CONSTRUCTION STANDARDS</p>	<p>FORCEMAIN CLEAN-OUT AND TRACER WIRE</p> <p>Alteration of this drawing is prohibited. Any approval of an altered drawing is unauthorized and void.</p>	<p>6127</p>
		<p>Revision Date 03/17/15</p>