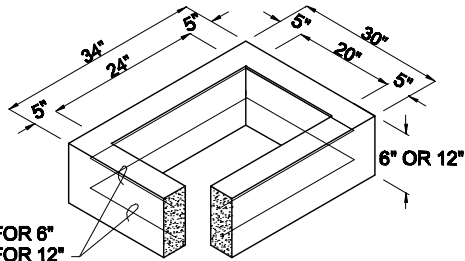
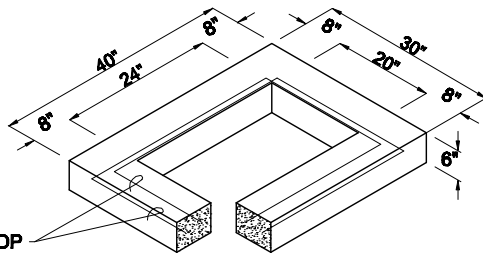


**FRAME AND GRATE
SEE APPLICABLE STANDARD
DETAIL**



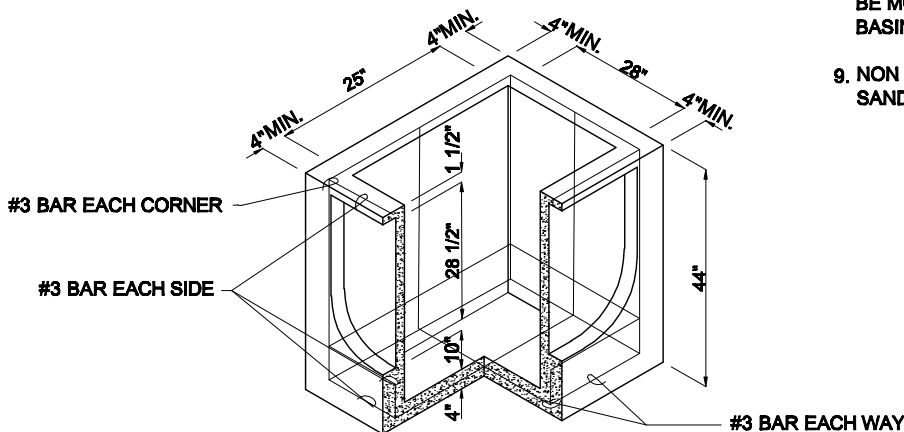
1 #3 BAR HOOP FOR 6"
2 #3 BAR HOOP FOR 12"

RISER SECTION



2 #3 BAR HOOP

6" REDUCING SECTION



**PRECAST BASE SECTION
(MEASUREMENT AT THE TOP
OF THE BASE)**

NOTES:

1. CATCH BASINS SHALL BE CONSTRUCTED IN ACCORDANCE WITH ASTM C478 (AASHTO M 199) & C890 UNLESS OTHERWISE SHOWN ON PLANS OR NOTED IN THE STANDARD SPECIFICATIONS.
2. AS AN ACCEPTABLE ALTERNATIVE TO REBAR, WELDED WIRE FABRIC HAVING A MIN. AREA OF 0.12 SQUARE INCHES PER FOOT MAY BE USED. WELDED WIRE FABRIC SHALL COMPLY TO ASTM A497 (AASHTO M 221). WIRE FABRIC SHALL NOT BE PLACED IN KNOCKOUTS.
3. ALL REINFORCED CAST-IN-PLACE CONCRETE SHALL BE CLASS 4000. 4. PRECAST BASES SHALL BE FURNISHED WITH CUTOUTS OR KNOCKOUTS. KNOCKOUTS SHALL HAVE A WALL THICKNESS OF 2" MIN. ALL PIPE SHALL BE INSTALLED IN FACTORY PROVIDED KNOCKOUTS. UNUSED KNOCKOUTS NEED NOT BE GROUTED IF WALL IS LEFT INTACT.
4. KNOCKOUTS OR CUTOUTS SHALL BE PRE MANUFACTURERS SPECIFICATIONS.
5. KNOCKOUTS MAY BE ON ALL 4 SIDES WITH MAX. DIAM. OF 28". KNOCKOUTS MAY BE EITHER ROUND OR "D" SHAPE.
6. THE TAPER ON THE SIDES OF THE PRECAST BASE SECTION AND RISER SECTION SHALL NOT EXCEED 1/2"/FT.
7. CATCH BASIN FRAME AND GRATE SHALL BE IN ACCORDANCE WITH STANDARD SPECIFICATIONS. MATING SURFACES SHALL BE FINISHED TO ASSURE NON-ROCKING FIT WITH ANY COVER POSITION.
8. EDGE OF REDUCING SECTION OR BRICK SHALL NOT BE MORE THAN 2" FROM VERTICAL EDGE OF CATCH BASIN WALL.
9. NON CONCRETE PIPES SHALL BE INSTALLED WITH A SAND COLLAR.



City of Bremerton

PUBLIC WORKS

DESIGN/CONSTRUCTION STANDARDS

CATCH BASIN TYPE 1-L

4003

Revision Date
2/6/07

Alteration of this drawing is prohibited. Any approval of an altered drawing is unauthorized and void.