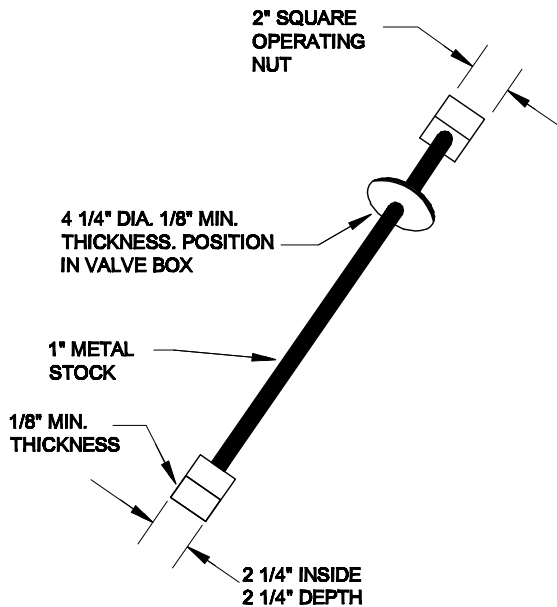



VALVE BOX & EXTENSION
NTS



OPERATOR EXTENSION
NTS

NOTES:

1. CORE DRILL HOLE IN CATCH BASIN LID. GROUT VALVE BOX IN PLACE.
2. ALL METAL PARTS & SURFACES MUST BE MADE OF CORROSION RESISTANT MATERIAL OR HOT DIPPED GALVANIZED.
3. EXTENSIONS ARE REQUIRED WHEN THE OPERATING NUT IS MORE THAN THREE (3) FEET BELOW FINISHED GRADE. EXTENSIONS ARE TO BE A MINIMUM OF ONE (1) FOOT LONG, ONLY ONE EXTENSION TO BE USED PER SHEAR GATE.
4. ALL EXTENSIONS ARE TO BE MADE OF STEEL, SIZED AS NOTED, AND PAINTED WITH TWO COATS OF APPROVED METAL PAINT OR HOT DIPPED GALVANIZED.
5. ALL EXTENSIONS ARE TO BE SECURED TO THE VALVE NUT.

	<p>City of Bremerton</p> <hr style="width: 50%; margin: auto;"/> <p>PUBLIC WORKS</p> <hr style="width: 50%; margin: auto;"/> <p>DESIGN/CONSTRUCTION STANDARDS</p>	<p>SHEAR GATE INSTALLATION (SCREW-TYPE)</p>
		<p>4064</p> <p>Revision Date 3/2/07</p>
<p>Alteration of this drawing is prohibited. Any approval of an altered drawing is unauthorized and void.</p>		