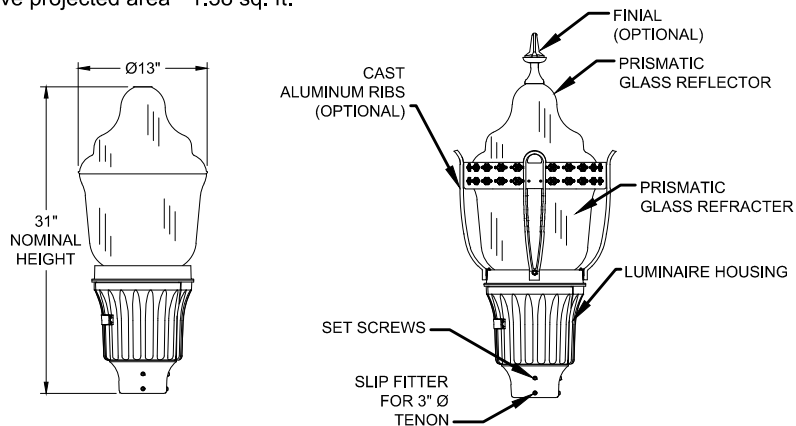
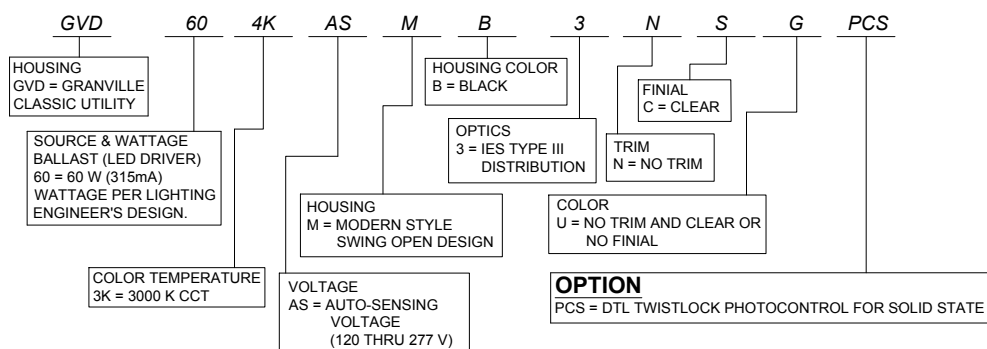


GranVille®II LED Classic Utility

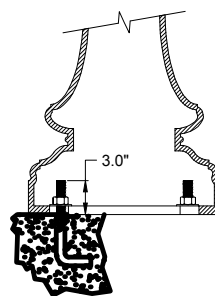
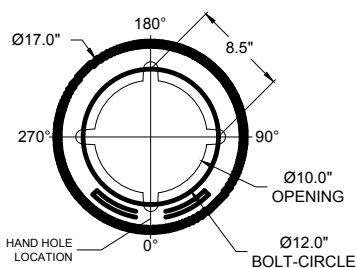
Maximum weight - 47 lbs
Maximum effective projected area - 1.38 sq. ft.



*drawing depicting base model no finial.



Anchorage Guide



CLC_S 17"
Ø3/4"
Hot Dip Galvanized
L-type Anchor Bolts
(4 per Post)

CL=Columbia
S=Cast Iron & Steel
13=12'-10"
FTB=Fluted Tapered (Steel), .1196 Wall
17=17" Round (TMP-82)
P07=3" O.D. X 3" L.G.
ABG=Anchor Bolts Galvanized Steel
BK=Black

POST
MATERIAL
HEIGHT
SHAFT STYLE
BASE
TENON
MOUNTING
FINISH



© 2009 Acuity Brands Lighting, Inc., All Rights Reserved

 CITY OF BREMERTON	<h2 style="margin: 0;">City of Bremerton</h2> <hr style="width: 20%; margin: 5px auto;"/> <p style="margin: 0;">PUBLIC WORKS</p> <hr style="width: 20%; margin: 5px auto;"/> <p style="margin: 0;">ENGINEERING DIVISION</p>	<h2 style="margin: 0;">SINGLE FIXTURE LIGHT STANDARD</h2>	<div style="border: 1px solid black; padding: 5px; text-align: center;"> <h3 style="margin: 0;">7006</h3> <p style="margin: 0; font-size: small;">Revision Date 8/01/17</p> </div>
----------------------------------	---	---	--