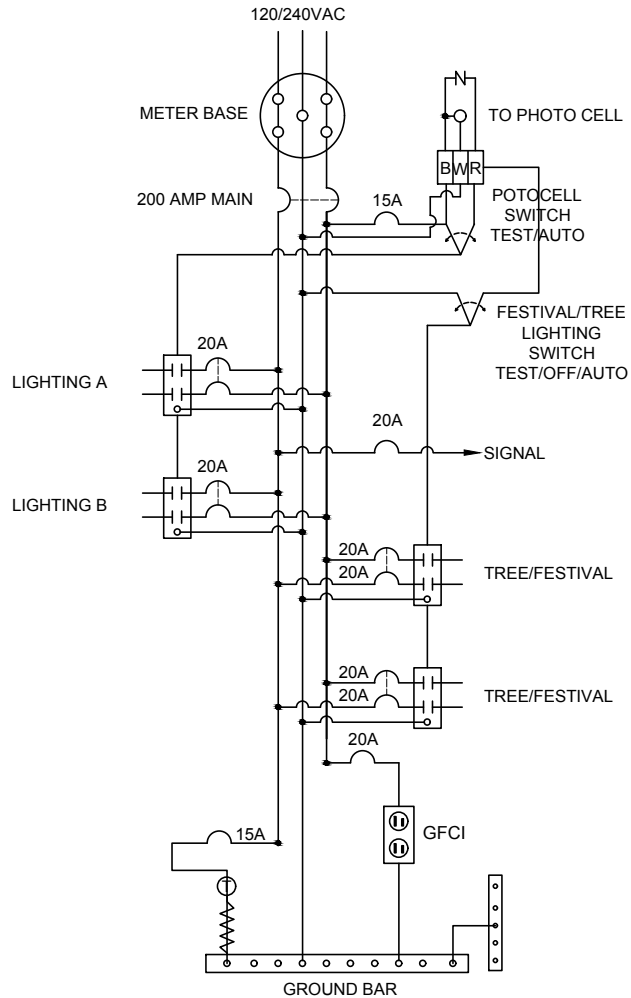


LIGHTING SERVICE
200A

NEMA 3R RBK SERVICE CABINET
BREMERTON STANDARD

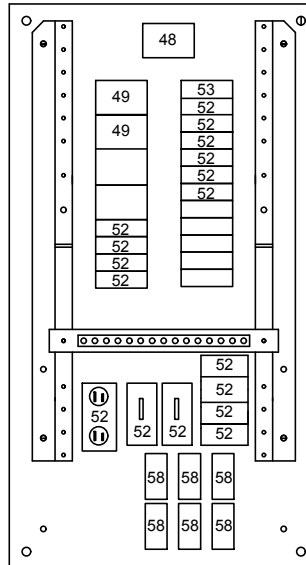


BREAKER SCHEDULE

CURCUIT DESCRIPTION	VOLTAMPS		BREAKER		CKT. NO.	CONNECTION		CKT. NO.	BREAKER		VOLTAMPS		CURCUIT DESCRIPTION
	A	B	AMP	POLE		A	B		AMP	POLE	A	B	
LIGHTING A	1920		200	2	1			2	15	1	1440		LIGHTING CONTROL
		1920	200	2	3			4	20	1		4800	SIGNAL
LIGHTING B	1920		20	2	5			6	20	1	1920		RECEPTICAL
		1920	20	2	7			8	15	1		550	HEATER
TREE LIGHTING	1920		20	1	9			10					
		1920	20	1	11			12					
TREE LIGHTING	1920		20	1	13								
		1920	20	1	15								
TOTAL	7680	7680									3360	4800	

BUS A	11040	VA	MAIN BREAKER:	200 AMP	LINE AMPS:	200 AMP
BUS B	12480	VA	LOCATION	BRANCH 1 & 3	PHASING	SINGLE
TOTAL LOAD	23520	VA	FEEDER SIZE:	#2 CU XHHW	KVA DEMAND:	
SOURCE:						

COMMENTS: 124TB MILBANK METER SOCKET, SHORT CIRCUIT RATED AT 10K



KEY:

- 50. C.H. 2P 200 AMP MAIN (CSR2200N)
- 51. C.H. 2P 20 AMP BREAKER (BAB2020)
- 52. C.H. 1P 50 AMP BREAKER (BAB1050)
- 53. C.H. 1P 20 AMP BREAKER (BAB1020)
- 54. C.H. 1P 15 AMP BREAKER (BAB1015)
- 55. METER ENCLOSURE (124TB MILBANK)
- 56. LIVITON SWITCH (1223-21)
- 57. GFCI. RECEPTACLE 20 AMP (LEVITON 7899-1)
- 58. S.D. 2P 30A LIGHTING CONTACTOR (8910DPA32VO2U1)
- 61. SOUTHCO DOOR S.S. HINGE (F6-3-1)
- 64. STAINLESS STEEL HANDLE
- 65. DEAD BOLT LOCK "BEST" (5L7RL2-626)
- 66. SQUARE D TERMINAL BLOCK
- 67. SQUARE D END CAP
- 71. VULCAN HEATER (2E902/C3840)
- 72. HEATER THERMOSTAT (ATEMNC71160)



City of Bremerton
PUBLIC WORKS AND UTILITIES
ENGINEERING DIVISION

STREET LIGHT/TREE LIGHT/TRAFFIC SIGN SERVICE CABNET

Alteration of this drawing is prohibited. Any approval of an altered drawing is unauthorized and void.

Drawing Number

7016

Revision Date

1/17/18